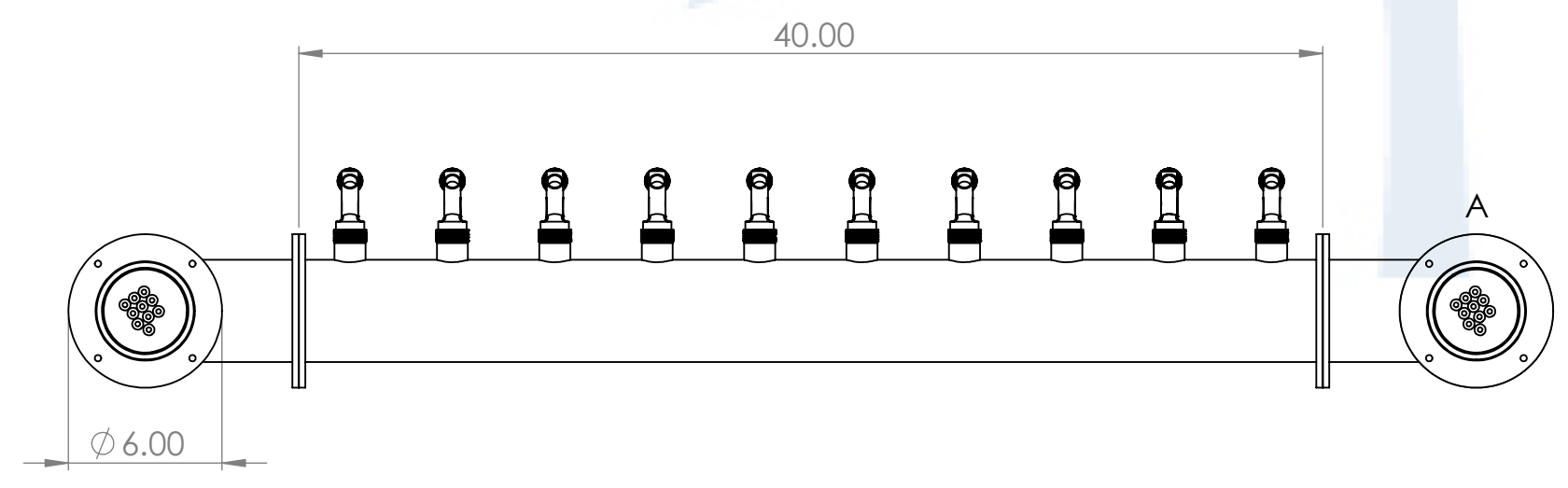
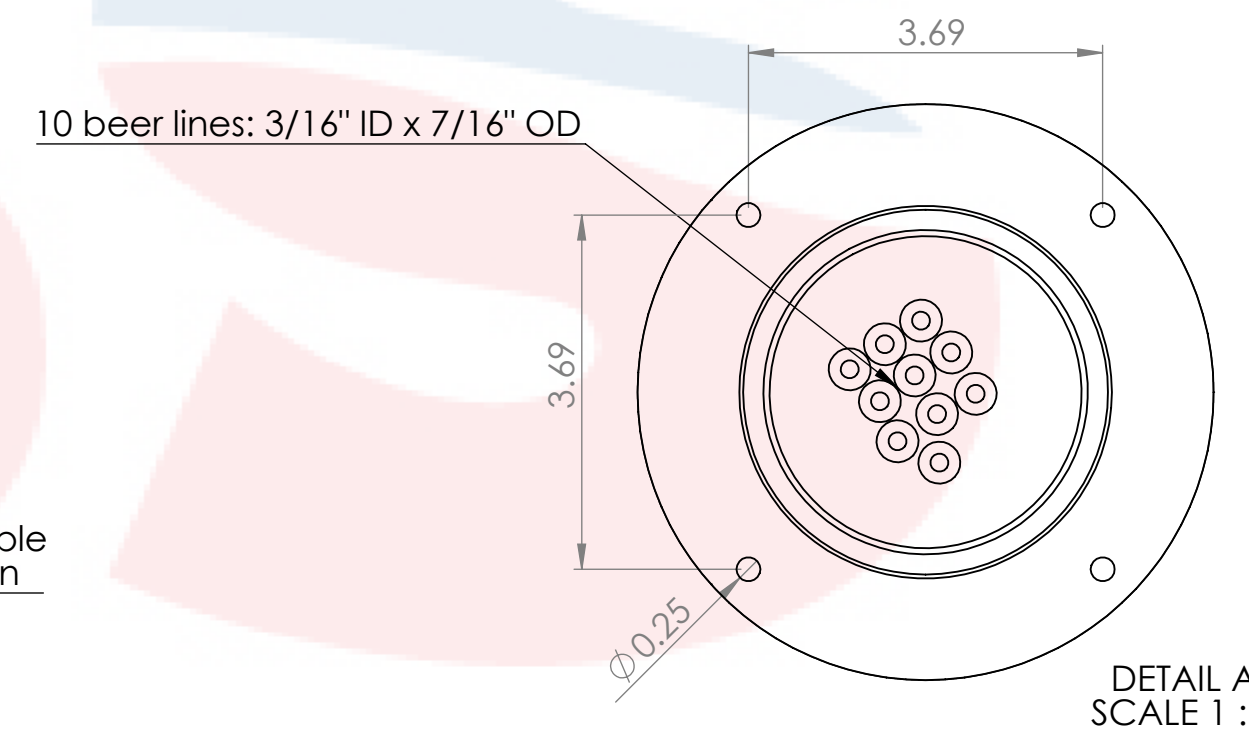
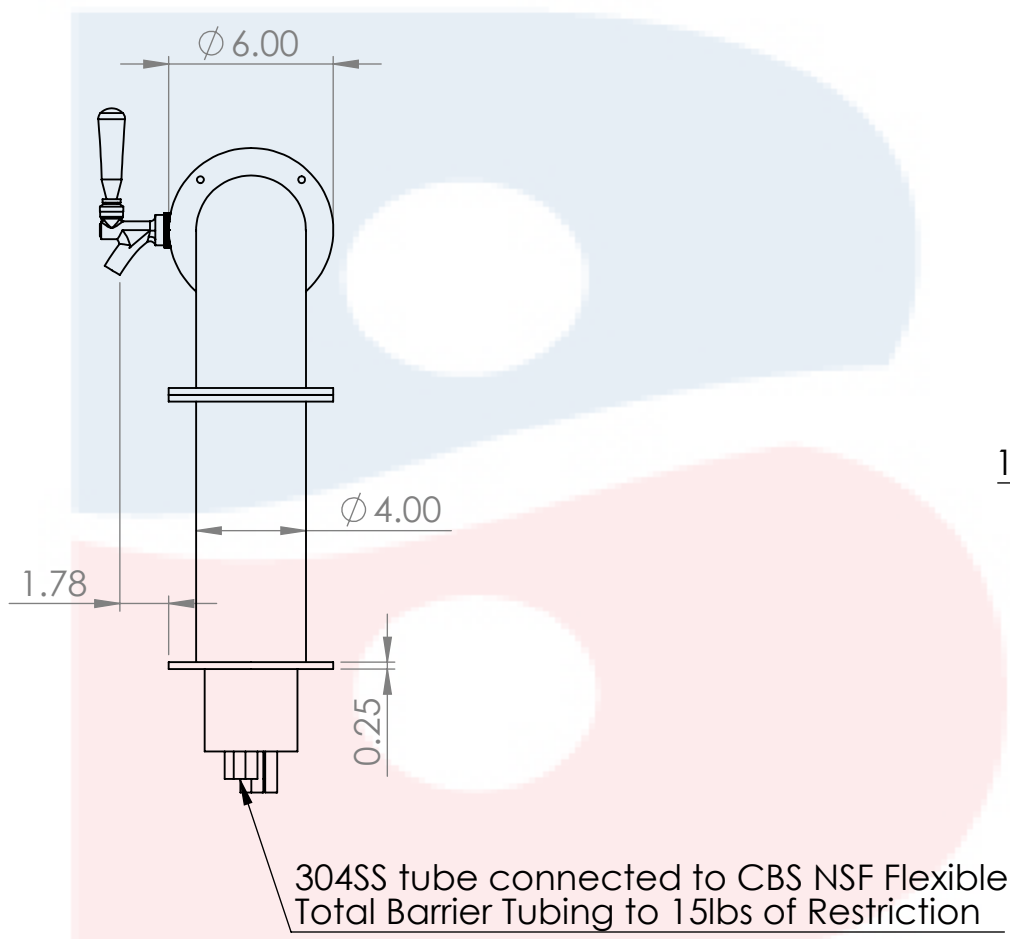
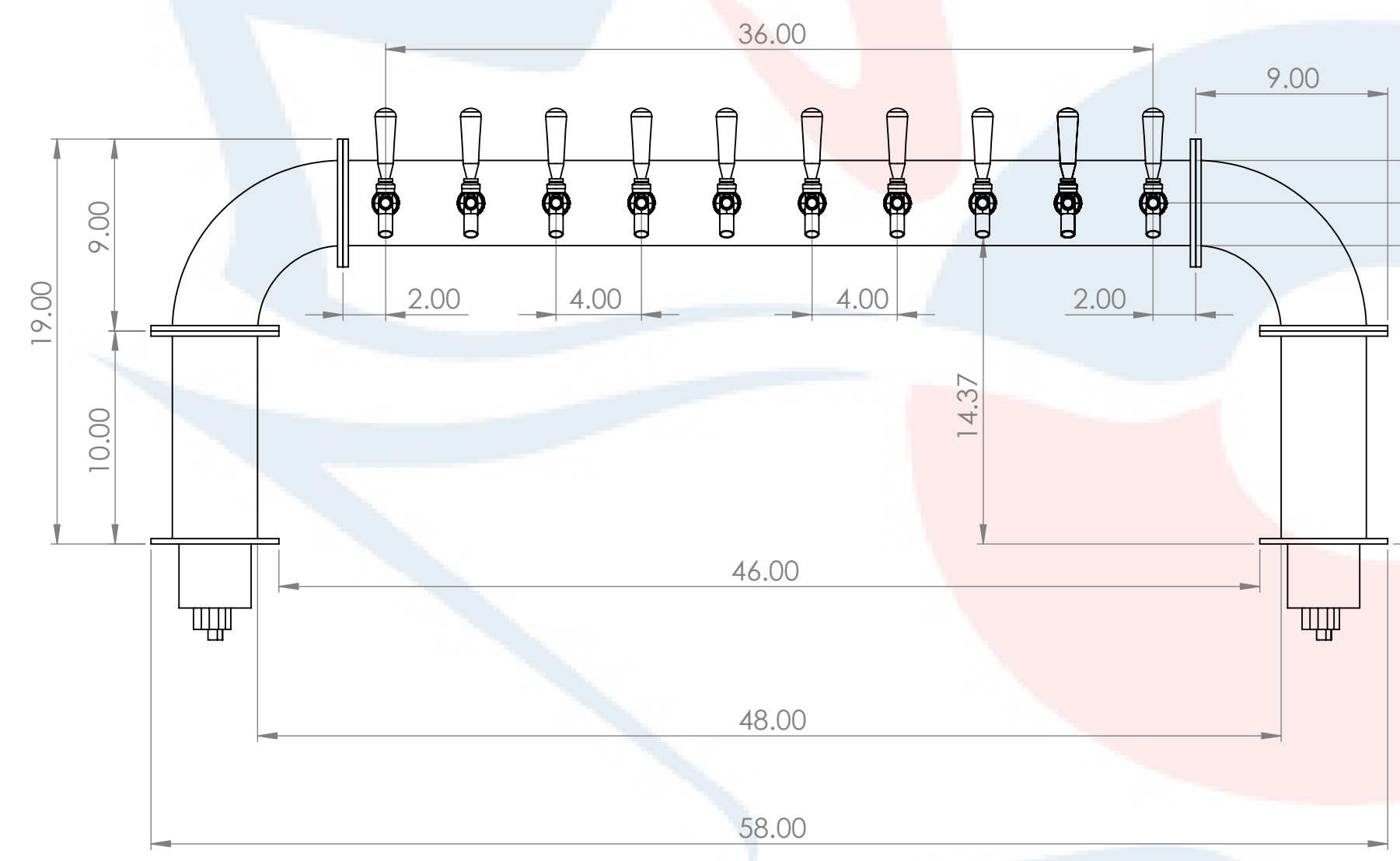


Isometric View
(For reference purpose only)



Suggested Drip Tray:
 2 x BB701345 - 45" x 7" BSS Drip Tray
 2 x BB702445 - 45" x 7" BSS Spray Drip Tray



Name		Date		Title:	
Drawn by:	Canadian Beverage Supply Inc.	11/23/2022		4" 10 Tap Lions Gate Tower	
Approved by:		VP Sales		Part Number:	
Material:	304 SS	Finish:	Brushed SS	BB102629-10SS	
Unless otherwise mentioned, dimensions are inches				Revision:	
SCALE: 1:7				SHEET 1 OF 1	